



ANLY FLOATLESS RELAY

AFS / AFR / A61F-G FLOATLESS RELAY



CHARACTERISTIC :

- Suitable for any electrolytic fluid surface (NO VOLATILE FLUID)
- AC operating voltage
- Protection against interference from power surge
- Low electrodes AC voltage to prevent electrolysis for longer life expectancy
- 2 LED status indicator for water supply or drainage
- Automatic water supply or drainage operation and alarm for anomaly water supply*

Note: "*" indicates applicable to A61F-G2 series only

TYPE SELECTION :

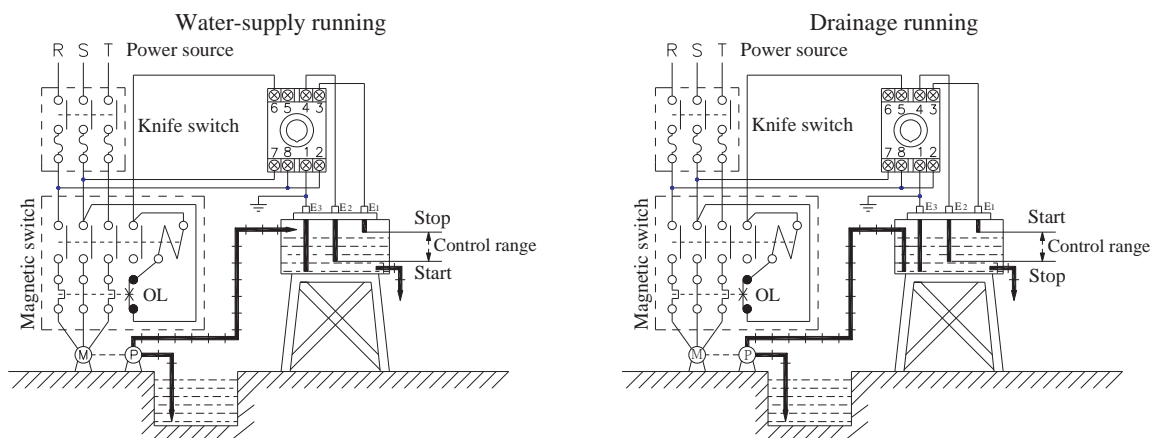
Sensing mode	Type						
General	AFS-1	AFR-1	AFR-G	A61F-GP-N	A61F-G	A61F-G1	A61F-G2
High sensing	AFS-1Y	AFR-1Y	----	----	A61F-GY	A61F-G1Y	A61F-G2Y
Long distance	AFS-1L	AFR-1L	----	----	A61F-GL	A61F-G1L	A61F-G2L
Low density	AFS-1D	AFR-1D	----	----	A61F-GD	A61F-G1D	A61F-G2D
Two lines	AFS-GR	----	----	----	----	----	----
Number of pins	8P	8P	8P	11P	9P	13P	13P

SPECIFICATION :

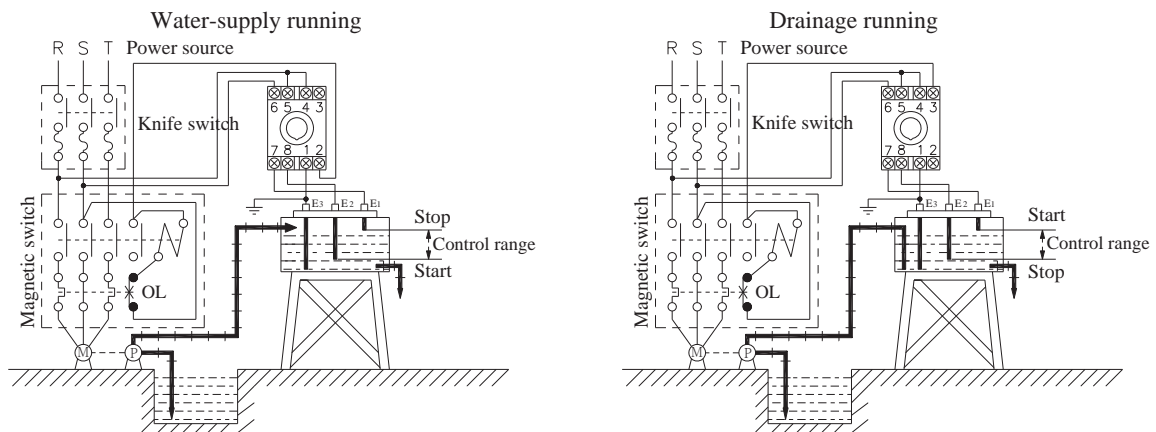
Type	AFS / AFR / A61F-GP-N	A61F-G / A61F-G1 / A61F-G2
Operating voltage	AC(V): 110, 220, 240	AC(V): 110/220, 110/240, 220/380, 240/380
Allowable operating voltage range	85~110% of rated operating voltage	
Rated frequency	50 / 60 Hz	
Contact rating	250VAC 5A (resistive load)	
Second voltage	8VAC(except High sensing 24VAC)	
Operate resistance	0 ~ 4K Ω	
Release resistance	15K ~ ∞ Ω	
Length of cable	MAX 1Km	
Power consumption	AFS, AFR, A61F-GP-N and A61F-G Approx. 3.2VA , A61F-G1 Approx. 6VA	
Life	Mechanical: 5,000,000 times, Electrical:100,000 times	
Ambient temperature	-10 ~ +50 $^{\circ}$ C	
Ambient humidity	MAX 85% RH	
Weight	AFS-1, A61F-GP-N Approx. 160g AFS-GR Approx. 150g, AFR Approx. 200g	A61F-G Approx. 330g A61F-G1, A61F-G2 Approx. 580g

CONNECTION :

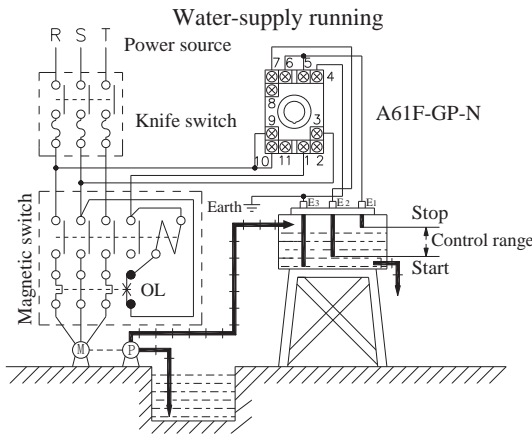
AFR-1,AFS-1



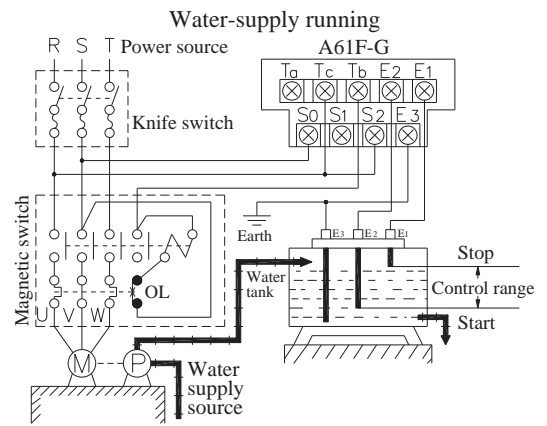
AFR-G,AFS-GR



A61F-GP-N

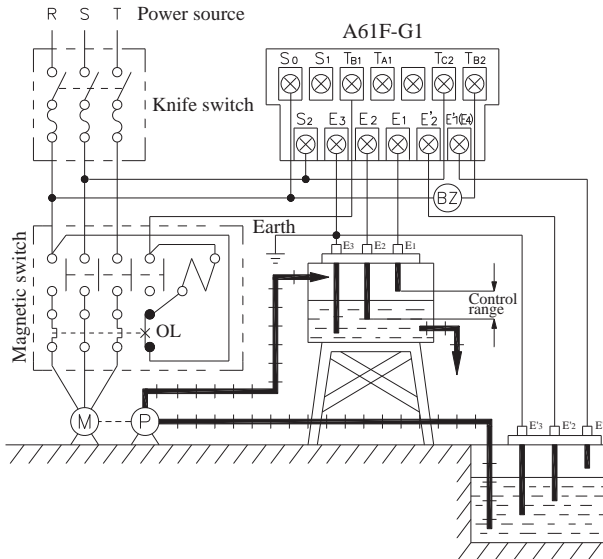


A61F-G

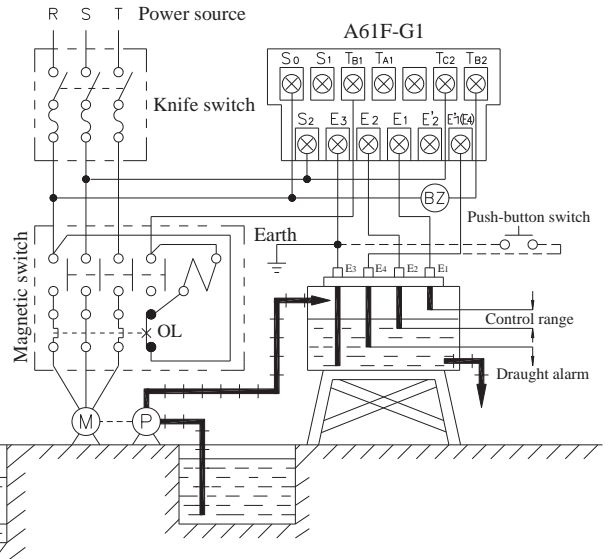


A61F-G1

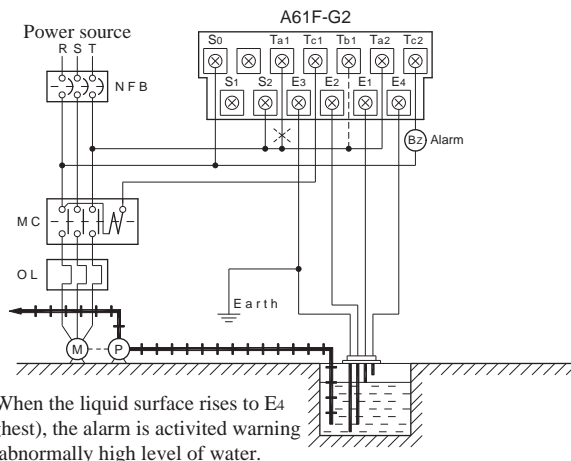
Water-supply running with prevention of idle running of pump.



Water-supply running with alarm for abnormal dearth water.



A61F-G2



※ When the liquid surface rises to E4 (highest), the alarm is activated warning the abnormally high level of water.

< DRAINAGE >

When the liquid level in the tank exceeds E1(high), the motor will be turned on. When the level drops to E2 (medium) it will be turned off.

Connection :
Connect the Ta1 to power source as the diagram show.
(Tb1 unconnect)

< WATER-SUPPLY >

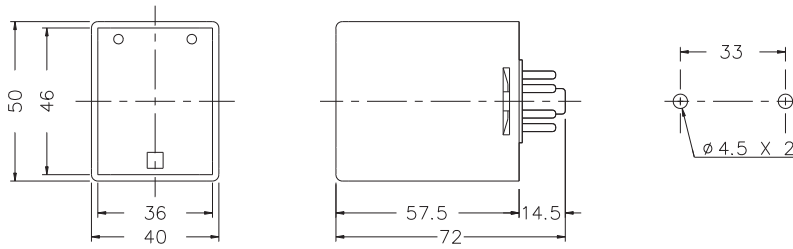
When liquid in the tank is dropped to the level below E2 (medium), the motor will be turned on. When the level rises to E1 (high) it will be turned off.

Connection :
Connect the Tb1 to power source as the diagram show.
(Ta1 unconnect)

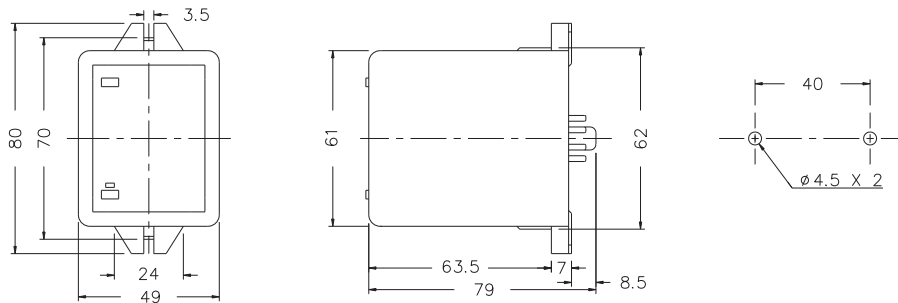
NOTE:1. With the power supply voltage AC 110V, the wiring is made between S0-S1 and S0-S2 for AC 220V.
2. Be sure to ground terminal E3.

DIMENSIONS : (mm)

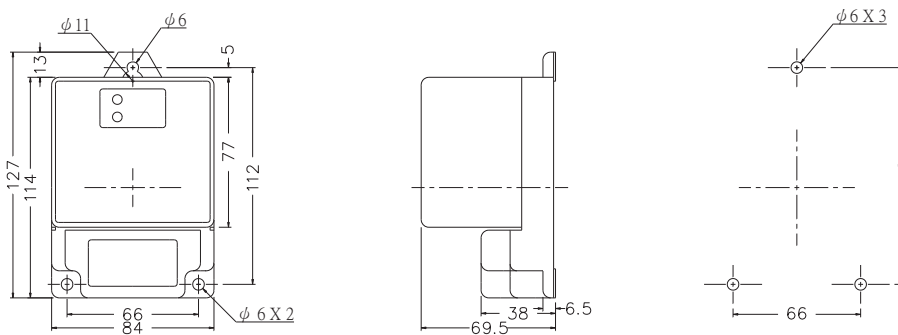
AFS series: Using PF085A Socket & FH-3, A61F-GP-N series: Using PF113A Socket



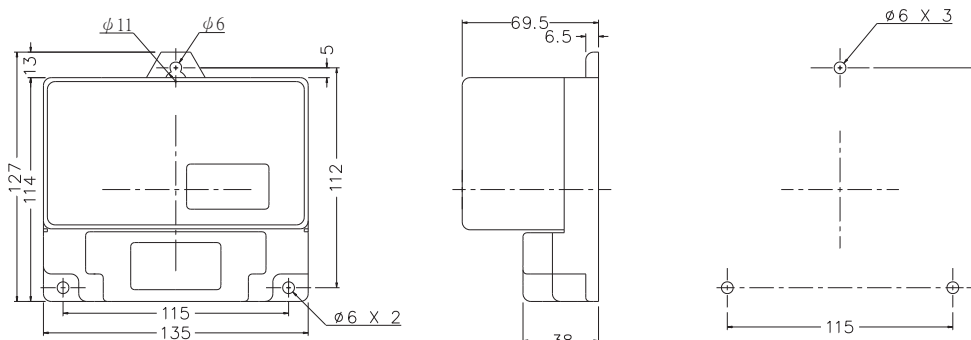
AFR series: Using 8PFA Socket



A61F-G series



A61F-G1 series



ONLY ELECTRONICS CO., LTD.

<http://www.ONLY.com.tw>

TAIWAN MAIN OFFICE : ONLY ELECTRONICS CO., LTD.

No.19, Lane 202, Fushou St., Xinzhuang Dist., New Taipei City 242, Taiwan
TEL: +886-2-2996-3202 FAX: +886-2-2996-2017

MALAYSIA BRANCH : JUSTY ELECTRONICS (M) SDN, BHD.

No.1, Jalan 6/89B, Kawasan Perindustrian Triseigi, Batu 3 1/2 Off Jalan Sungei Besi, 57100 Kuala Lumpur, Malaysia
TEL: +60-3-7983-5758 FAX: +60-3-7981-5052

HONG KONG BRANCH : ONLY ELECTRONICS (HK) LTD.

Flat K, 13/F, Edward Mansion, 141 Prince Edward Road W., Kowloon, Hong Kong
TEL: +852-2397-2505 FAX: +852-2397-6080

SHANGHAI BRANCH : ONLY TECHNOLOGY (WUXI) CO., LTD.

Room 13G, No.831, Xinzha Rd., Jingan District, Shanghai, China 200041
TEL: +86-21-6218-3300 FAX: +86-21-6217-5911

NO. AFS-P-A