



ANLY SOLID STATE RELAY



FEATURES

- *HIGH RELIABILITY
- *LONG LIFE
- *NO SWITCHING SPARKS
- *NO NOISE
- *NO CONTACT POINTS
- *FAST REACTION
- *UL, C-UL and CE certified

TYPE SELECTION :

CURRENT :

MODEL	TYPE	CURRENT CONTROL	MAX. LOAD CURRENT	LOAD VOLTAGE RANGE	SWITCHING TYPE	WEIGHT
ASR-10CA	Current → AC	4~20mA (DC3.8~10V)	10A	200~280VAC	Phase Control	Approx. 100 g
ASR-15CA			15A			Approx. 100 g
ASR-25CA			25A			Approx. 100 g
ASR-40CA			40A			Approx. 100 g
ASR-50CA			50A			Approx. 100 g
ASR-75CA			75A			Approx. 100 g
ASR-90CA			90A			Approx. 100 g
ASR-10CA-H	Current → AC	4~20mA (DC3.8~10V)	10A	380~480VAC	Phase Control	Approx. 100 g
ASR-15CA-H			15A			Approx. 100 g
ASR-25CA-H			25A			Approx. 100 g
ASR-40CA-H			40A			Approx. 100 g
ASR-50CA-H			50A			Approx. 100 g
ASR-75CA-H			75A			Approx. 100 g
ASR-90CA-H			90A			Approx. 100 g

VARIABLE :

MODEL	TYPE	CONTROL IMPEDANCE	MAX. LOAD CURRENT	LOAD VOLTAGE RANGE	SWITCHING TYPE	WEIGHT
ASR-10RA	VARIABLE	VR0~250KΩ	10A	24~280VAC	Phase Control	Approx. 92 g
ASR-15RA			15A			Approx. 92 g
ASR-25RA			25A			Approx. 95 g
ASR-40RA			40A			Approx. 95 g
ASR-50RA	VARIABLE	VR0~500KΩ	50A			Approx. 95 g
ASR-75RA			75A			Approx. 95 g
ASR-90RA			90A			Approx. 95 g
ASR-10RA-H	VARIABLE(H)	VR0~1MΩ	10A	48~480VAC	Phase Control	Approx. 95 g
ASR-15RA-H			15A			Approx. 95 g
ASR-25RA-H			25A			Approx. 100 g
ASR-40RA-H			40A			Approx. 100 g
ASR-50RA-H			50A			Approx. 100 g
ASR-75RA-H			75A			Approx. 100 g
ASR-90RA-H			90A			Approx. 100 g

⚠ ATTENTION! Please use proper heat sink when installing Solid State Relay (SSR).
 SSR may breakdown when overheated. Please contact your local authorized distributor or customer service representative of ANLY for more information.
 Product is subject to change without notice.



F01

VOLTAGE : (Panel Mount Type)

MODEL	TYPE	INPUT CONTROL VOLTAGE	MAX. LOAD CURRENT	LOAD VOLTAGE RANGE	SWITCHING TYPE	WEIGHT
ASR-10DA	DC → AC	4~32VDC	10A	24~280VAC	ZERO-CROSS	Approx. 90g
ASR-15DA			15A			Approx. 90g
ASR-25DA			25A			Approx. 92g
ASR-40DA			40A			Approx. 92g
ASR-50DA			50A			Approx. 100g
ASR-75DA			75A			Approx. 100g
ASR-90DA			90A			Approx. 100g
ASR-100DA			100A			Approx. 100g
ASR-125DA			125A			Approx. 100g
ASR-10DA-H	DC → AC	4~32VDC	10A	48~480VAC	ZERO-CROSS	Approx. 90g
ASR-15DA-H			15A			Approx. 90g
ASR-25DA-H			25A			Approx. 92g
ASR-40DA-H			40A			Approx. 92g
ASR-50DA-H			50A			Approx. 100g
ASR-75DA-H			75A			Approx. 100g
ASR-90DA-H			90A			Approx. 100g
ASR-100DA-H			100A			Approx. 100g
ASR-125DA-H			125A			Approx. 100g
ASR-10AA	AC → AC	80~280VAC	10A	24~280VAC	ZERO-CROSS	Approx. 92g
ASR-15AA			15A			Approx. 92g
ASR-25AA			25A			Approx. 95g
ASR-40AA			40A			Approx. 95g
ASR-50AA			50A			Approx. 100g
ASR-75AA			75A			Approx. 100g
ASR-90AA			90A			Approx. 100g
ASR-100AA			100A			Approx. 100g
ASR-125AA			125A			Approx. 100g
ASR-10AA-H	AC → AC	80~280VAC	10A	48~480VAC	ZERO-CROSS	Approx. 92g
ASR-15AA-H			15A			Approx. 92g
ASR-25AA-H			25A			Approx. 95g
ASR-40AA-H			40A			Approx. 95g
ASR-50AA-H			50A			Approx. 100g
ASR-75AA-H			75A			Approx. 100g
ASR-90AA-H			90A			Approx. 100g
ASR-100AA-H			100A			Approx. 100g
ASR-125AA-H			125A			Approx. 100g
ASR-05DD	DC → DC	3~32VDC	5A	5~120VDC	N/A	Approx. 95g
ASR-10DD			10A			Approx. 95g
ASR-25DD	DC → DC	4~32VDC	25A	5~120VDC	N/A	Approx. 100g
ASR-40DD			40A			Approx. 100g
ASR-50DD			50A			Approx. 100g
ASR-75DD			75A			Approx. 100g
ASR-90DD			90A			Approx. 100g
ASR-10DD-H	DC → DC	3~32VDC	10A	5~240VDC	N/A	Approx. 95g
ASR-25DD-H	DC → DC	4~32VDC	25A	5~240VDC	N/A	Approx. 100g
ASR-40DD-H			40A			Approx. 100g
ASR-50DD-H			50A			Approx. 100g
ASR-75DD-H			75A			Approx. 100g
ASR-90DD-H			90A			Approx. 100g



ATTENTION! Please use proper heat sink when installing Solid State Relay (SSR).
SSR may breakdown when overheated. Please contact your local authorized distributor or customer service representative of ANLY for more information.



VOLTAGE : (PCB Type)

MODEL	TYPE	INPUT CONTROL VOLTAGE	MAX. LOAD CURRENT	LOAD VOLTAGE RANGE	SWITCHING TYPE	WEIGHT
ASR-02DA	DC → AC	3~32VDC	2A	24~280VAC	ZERO-CROSS	Approx. 12g
ASR-03DA			3A			Approx. 12g
ASR-04DA			4A			Approx. 12g
ASR-05DA			5A			Approx. 12g
ASR-06DA			6A			Approx. 12g
ASR-02DA-H			2A			Approx. 12g
ASR-03DA-H	DC → AC	3~32VDC	3A	24~480VAC	ZERO-CROSS	Approx. 12g
ASR-04DA-H			4A			Approx. 12g
ASR-05DA-H			5A			Approx. 12g
ASR-06DA-H			6A			Approx. 12g
ASR-02AA			2A			Approx. 10g
ASR-04AA	AC → AC	80~280VAC	4A	24~280VAC	ZERO-CROSS	Approx. 12g
ASR-06AA			6A			Approx. 12g
ASR-02DD			DC → DC			3~32VDC
ASR-04DD	4A	Approx. 12g				
ASR-02AD	AC → DC	80~280VAC	2A	3~60VDC	N/A	Approx. 10g
ASR-04AD			4A			Approx. 12g

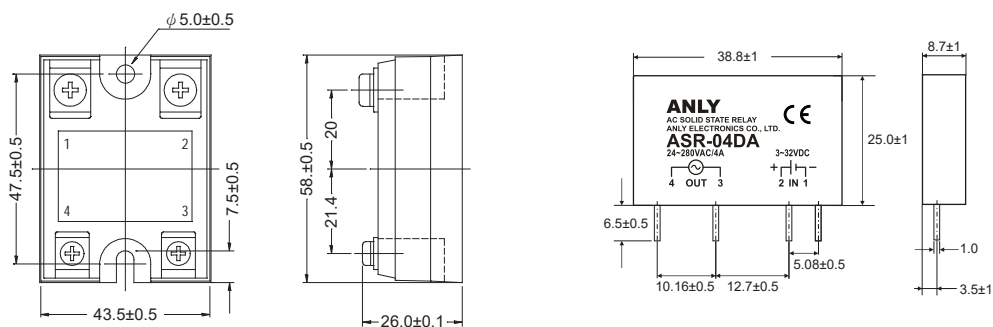
GENERAL DATA :

Type	Current → AC	Current→AC(H)	Type	VARIABLE	VARIABLE(H)	AC→DC
Must Turn Off Voltage	MAX 3.0VDC	MAX 3.0VDC	Must Turn Off Voltage	N/A	N/A	MAX 10VAC
Input Impedance	150Ω	150Ω	Input Impedance	1.5KΩ	1.5KΩ	1.5KΩ
Min Blocking Voltage	600VAC peak	1200VAC peak	Min Blocking Voltage	600VAC peak	1200VAC peak	02, 04AD:80VDC 10, 25AD:140VDC 10, 25AD-H:300VDC
Max Off-State Leakage	LESS 4mA	LESS 4mA	Max Off-State Leakage	LESS 5mA	LESS 15mA	02, 04AD:LESS 1mA 10, 25AD:LESS 3mA 10, 25AD-H:LESS 3mA
Frequency Range	40~65Hz	40~65Hz	Frequency Range	47~70Hz	47~70Hz	47~70Hz
Critical dv/dt Off-State Min.	1000V/μ Sec	1000V/μ Sec	Max Off-State dv/dt	200V/μ Sec	200V/μ Sec	200V/μ Sec
Critical di/dt @50Hz	100A/μ Sec	100A/μ Sec	Max On-State Voltage Drop	2.0VACrms	2.0VACrms	1.2Vrms
Max input Current	50mA	50mA	Isolate Impedance	10 ⁹ Ω	10 ⁹ Ω	10 ⁹ Ω
Dielectric Strength Input -Output	4000Vrms	4000Vrms	Dielectric Strength Input -Output	4000VACrms	4000VACrms	2500Vrms
Dielectric Strength Input, Output-Case	2500Vrms	2500Vrms	Dielectric Strength Input, Output-Case	2500VACrms	2500VACrms	N/A
Pick up Current	4mA	4mA	Turn On Time	LESS 2mSec	LESS 2mSec	LESS 2mSec
Drop out Current	3.5mA	3.5mA	Turn Off Time	LESS 1/2 AC CYCLE	LESS 1/2 AC CYCLE	LESS 1/2 CYCLE
Response time	10mS	10mS	Capacitance In-Out	LESS 15 pF	LESS 15 pF	LESS 15 pF
Non-rep. Surge Current	ASR-10CA:100A ASR-15CA:150A ASR-25CA:250A ASR-40CA:400A ASR-50CA:500A ASR-75CA:750A ASR-90CA:900A	ASR-10CA-H:100A ASR-15CA-H:150A ASR-25CA-H:250A ASR-40CA-H:400A ASR-50CA-H:500A ASR-75CA-H:750A ASR-90CA-H:900A	Max 1-Cycle Peak Surge	ASR-10RA:100A ASR-15RA:150A ASR-25RA:250A ASR-40RA:400A ASR-50RA:500A ASR-75RA:750A ASR-90RA:900A	ASR-10RA-H:100A ASR-15RA-H:150A ASR-25RA-H:250A ASR-40RA-H:400A ASR-50RA-H:500A ASR-75RA-H:750A ASR-90RA-H:900A	ASR-02AD:3A ASR-04AD:8.5A ASR-10AD:15A ASR-25AD:35A ASR-10AD-H:15A ASR-25AD-H:35A

ATTENTION! Please use proper heat sink when installing Solid State Relay (SSR). SSR may breakdown when overheated. Please contact your local authorized distributor or customer service representative of ANLY for more information.

Type	DC→AC	DC→AC(H)	AC→AC	AC→AC(H)	DC→DC	DC→DC(H)
Must Turn Off Voltage	MAX 1.0VDC	MAX 1.0VDC	MAX 10VAC	MAX 10VAC	MAX 1.0VDC	MAX 1.0VDC
Input Impedance	1.5KΩ	1.5KΩ	1.5KΩ	1.5KΩ	1.5KΩ	1.5KΩ
Min Blocking Voltage	600VAC peak	1200VAC peak	600VAC peak	1200VAC peak	02-04DD:80VDC 05-75DD:140VDC	300VDC
Max Off-State Leakage	2-6DA:LESS 5mA 10-125DA:LESS 7.5mA	2-6DAH:LESS 5mA 10-125DAH:LESS 15mA	LESS 5mA	LESS 15mA	02-04DD:LESS 1mA 05DD:LESS 3mA 10DD:LESS 5mA 25-75DD:LESS 7mA	10DD-H:LESS 7mA 25-75DD-H:LESS 15mA
Frequency Range	47~70Hz	47~70Hz	47~70Hz	47~70Hz	47~70Hz	47~70Hz
Max Off-State dv/dt	2-4DA:100V/μSec 6-100DA:200V/μSec	200V/μSec	2-4AA:100V/μSec 6-100AA:200V/μSec	200V/μSec	200V/μSec	200V/μSec
Max On-State Voltage Drop	02-03DA:1.5VACrms 04-100DA:2.0VACrms	2.0VACrms	02AA:1.5VACrms 04-100AA:2.0VACrms	2.0VACrms	02-04DD:1.2Vrms 05-75DD:2.0Vrms	2.0VACrms
Isolate Impedance	10 ⁹ Ω	10 ⁹ Ω	10 ⁹ Ω	10 ⁹ Ω	10 ⁹ Ω	10 ⁹ Ω
Dielectric Strength Input-Output	4000VACrms	4000VACrms	4000VACrms	4000VACrms	02-04DD:2500Vrms 05-100DD:4000VACrms	4000VACrms
Dielectric Strength Input, Output-Case	02-06DA:N/A 10-100DA:2500VACrms	02-06DA-H:N/A 10-100DA-H:2500VACrms	02-06AA:N/A 10-100AA:2500VACrms	2500VACrms	02-04DD:N/A 05-75DD:2500VACrms	2500VACrms
Turn On Time	LESS 2mSec	LESS 2mSec	LESS 2mSec	LESS 2mSec	LESS 2mSec	LESS 2mSec
Turn Off Time	LESS 1/2 AC CYCLE	LESS 1/2 AC CYCLE	LESS 1/2 AC CYCLE	LESS 1/2 AC CYCLE	LESS 1/2 CYCLE	LESS 1/2 CYCLE
Capacitance In-Out	LESS 15 pF	LESS 15 pF	LESS 15 pF	LESS 15 pF	LESS 15 pF	LESS 15 pF
Max 1-Cycle Peak Surge	ASR-02DA:20A ASR-03DA:30A ASR-04DA:40A ASR-05DA:50A ASR-06DA:60A ASR-10DA:100A ASR-15DA:150A ASR-25DA:250A ASR-40DA:400A ASR-50DA:500A ASR-75DA:750A ASR-90DA:900A ASR-100DA:1KA ASR-125DA:1.25KA	ASR-02DA-H:20A ASR-03DA-H:30A ASR-04DA-H:40A ASR-05DA-H:50A ASR-06DA-H:60A ASR-10DA-H:100A ASR-15DA-H:150A ASR-25DA-H:250A ASR-40DA-H:400A ASR-50DA-H:500A ASR-75DA-H:750A ASR-90DA-H:900A ASR-100DA-H:1KA ASR-125DA-H:1.25KA	ASR-02AA:20A ASR-04AA:40A ASR-06AA:60A ASR-10AA:100A ASR-15AA:150A ASR-25AA:250A ASR-40AA:400A ASR-50AA:500A ASR-75AA:750A ASR-90AA:900A ASR-100AA:1KA ASR-125AA:1.25KA	ASR-10AA-H:100A ASR-15AA-H:150A ASR-25AA-H:250A ASR-40AA-H:400A ASR-50AA-H:500A ASR-75AA-H:750A ASR-90AA-H:900A ASR-100AA-H:1KA ASR-125AA-H:1.25KA	ASR-02DD:3A ASR-04DD:8.5A ASR-05DD:25A ASR-10DD:50A ASR-25DD:100A ASR-40DD:200A ASR-50DD:250A ASR-75DD:375A	ASR-10DD-H:50A ASR-25DD-H:100A ASR-40DD-H:200A ASR-50DD-H:250A ASR-75DD-H:375A

OUTLINE DIMENSIONS : mm



Tolerance:±0.1

ONLY ELECTRONICS CO., LTD.

<http://www.anly.com.tw>

TAIWAN MAIN OFFICE : ONLY ELECTRONICS CO., LTD.

No.19, Lane 202, Fushou St., Xinzhuang Dist., New Taipei City 242, Taiwan
TEL: +886-2-2996-3202 FAX: +886-2-2996-2017

HONG KONG BRANCH : ONLY ELECTRONICS (HK) LTD.

Flat K, 13/F, Edward Mansion, 141 Prince Edward Road W., Kowloon, Hong Kong
TEL: +852-2397-2505 FAX: +852-2397-6080

SHANGHAI BRANCH : ONLY TECHNOLOGY (WUXI) CO., LTD.

Room 13G, No.831, Xinzha Rd., Jingan District, Shanghai, China 200041
TEL: +86-21-6218-3300 FAX: +86-21-6217-5911

MALAYSIA BRANCH : JUSTY ELECTRONICS (M) SDN. BHD.

No.1, Jalan 6/89B, Kawasan Perindustrian Trisegi, Batu 3 1/2 Off Jalan Sungei Besi, 57100 Kuala Lumpur, Malaysia
TEL: +60-3-7983-5758 FAX: +60-3-7981-5052

INDONESIA BRANCH : PT. ONLY ELECTRONICS INDONESIA

Jl. Pangeran Jayakarta 117/B9, Jakarta Pusat, 10730 Indonesia
TEL: +62-21-624-8436 FAX: +62-21-626-1228

NO. ASR-T-A