



ANLY FLOATLESS RELAY

AFG FULLY-AUTOMATIC EXCHANGE OPERATING CONTROLLER



CHARACTERISTIC :

- Liquid-surface control and motor-alternating control on a single device for space-saving design
- Alarm circuit possible with user installation
- Single motor operation possible via a slide switch - free from down time by single faulty motor
- Automatic power and motor shut-off with empty water source to prevent the motor from idling*

Note: *indicates applicable to AFG-2 only

TYPE SELECTION :

SPECIFICATION :

Operating voltage	AC(V): 110/220, 110/240, 220/380, 240/415
Allowable operating voltage range	85~110% of rated operating voltage
Rated frequency	50 / 60 Hz
Contact rating	250VAC 5A (resistive load)
Second voltage	8VAC
Operate resistance	0 ~ 4K Ω
Release resistance	15K ~ $\infty \Omega$
Length of cable	MAX 1Km
Power consumption	Approx. 8VA
Life	Mechanical: 5,000,000 times Electrical: 100,000 times
Ambient temperature	-10 ~ +50 $^{\circ}$ C (without condensation & freezing)
Ambient humidity	MAX 85% RH (without condensation)
Altitude	MAX 2000m
Weight	Approx. 600g

Type	AFG-2	AFG-3	AFG-4
Fully-automatic water-supply running	⊙	⊙	
Fully-automatic water-drainage running			⊙
Both motors can be operated at auto-exchange mode	⊙	⊙	⊙
Both motors can be operated individually	⊙	⊙	⊙
Both motors can be operated simultaneously		⊙	⊙
Motors can be prevented from idle running	⊙		
The contacts for the water-shortage alarm	⊙	⊙	
The contacts for the water-filled alarm			⊙
Single water tank / two segment		⊙	⊙
Dual water tank / one segment	⊙		

CONNECTION :



DRAWING NO.1



DRAWING NO.2



DRAWING NO.3

Firstly, open the case and find two slide switches inside.

DRAWING NO.1 : Both motors can be operated at auto-exchange mode.

DRAWING NO.2 : Only motor NO.1 can be operated.

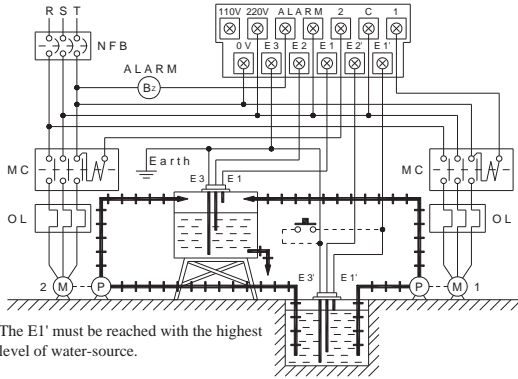
DRAWING NO.3 : Only motor NO.2 can be operated.

AFG - 2

Functions:

Fully-automatic water-supply running, both motors can be operated at auto-exchange mode. It also can prevent idling and has water-shortage alarm.

☆The E3 must be touched with E1' when power on at the beginning.



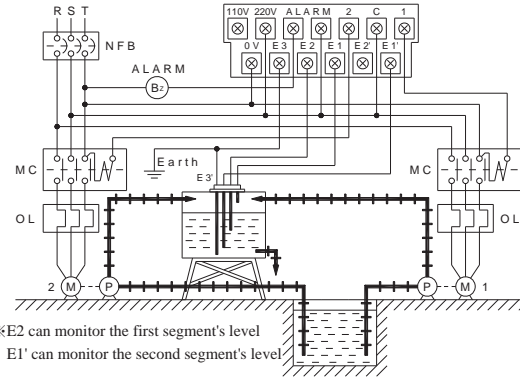
※The E1' must be reached with the highest level of water-source.

AFG - 3

Functions:

Fully-automatic water-supply running, both motors can be operated at auto-exchange mode or simultaneously. It also can monitor water level and has death water alarm.

☆Both motors are being operated simultaneously when water level is lower than E1.



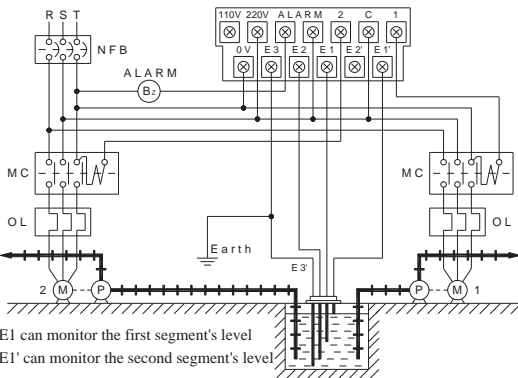
※E2 can monitor the first segment's level
E1' can monitor the second segment's level

AFG - 4

Functions:

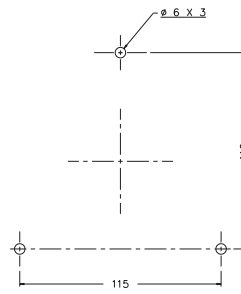
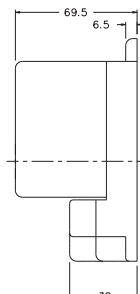
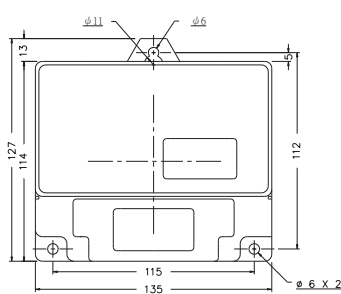
Fully-automatically water-drainage running, both motors can auto-exchanged operating as well as running simulatingly, monitoring the level, alarming when water is filled.

☆Both motors are being operated simultaneously when water level is higher than E1'.



※E1 can monitor the first segment's level
E1' can monitor the second segment's level

DIMENSIONS : (mm)



Tolerance:±0.1

ONLY ELECTRONICS CO., LTD.

<http://www.ONLY.com.tw>

TAIWAN MAIN OFFICE : ONLY ELECTRONICS CO., LTD.

No.19, Lane 202, Fushou St., Xinzhuang Dist., New Taipei City 242, Taiwan
TEL: +886-2-2996-3202 FAX: +886-2-2996-2017

MALAYSIA BRANCH : JUSTY ELECTRONICS (M) SDN, BHD.

No.1, Jalan 6/89B, Kawasan Perindustrian Trisegi, Batu 3 1/2 Off Jalan Sungei Besi, 57100 Kuala Lumpur, Malaysia
TEL: +60-3-7983-5758 FAX: +60-3-7981-5052

HONG KONG BRANCH : ONLY ELECTRONICS (HK) LTD.

Flat K, 13/F, Edward Mansion, 141 Prince Edward Road W., Kowloon, Hong Kong
TEL: +852-2397-2505 FAX: +852-2397-6080

SHANGHAI BRANCH : ONLY TECHNOLOGY (WUXI) CO., LTD.

Room 13G, No.831, Xinzha Rd., Jingan District, Shanghai, China 200041
TEL: +86-21-6218-3300 FAX: +86-21-6217-5911

NO. AFG-R-A