



ANLY TIMER

AH5CN-T DIGITAL TWIN TIMER



CHARACTERISTIC :

- 7-segment-display for clear display and effective monitoring
- Protection against power surge and high frequency interference
- 2-digit on time and off time 99S ~ 99H time ranges available
- Memory switch allows users to enable or disable memory function
- Manual reset button on faceplate
- 2 modes selectable via slide switch: Mode A for DPDT time-limiting output contacts and Mode B for SPDT Instantaneous and Delayed output contacts
- Available in Count Up or Count Down model
- External pause contact available on G type

規格 :

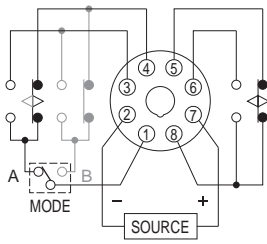
Operating voltage	AC/DC(V): 12 - 48, 100 - 240
Allowable operating voltage range	85~110% of rated operating voltage
Rated frequency	50 / 60 Hz
Contact rating	250VAC 5A (resistive load)
Reset time	MAX 0.1S
Power consumption	Approx. 2.5VA
Life	Mechanical: 5,000,000 times Electrical: 100,000 times
Ambient temperature	-10 ~ +50°C (without condensation & freezing)
Ambient humidity	MAX 85% RH (without condensation)
Altitude	MAX 2000m
Weight	Approx. 130g

TYPE SELECTION :

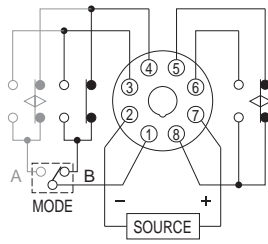
Output contact	Mode A / B	G Type	Mode A / B + G Type
Type	AH5CN-T	AH5CN-TG	AH5CN-T11
Time range	99S x 99S, 99S x 99M, 99S x 99H 99M x 99S, 99M x 99M, 99M x 99H 99H x 99S, 99H x 99M, 99H x 99H		

CONNECTION :

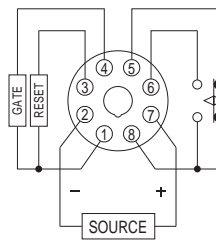
Mode A



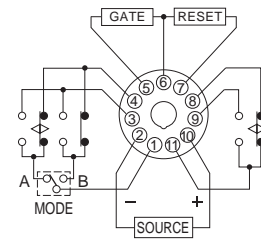
Mode B



G Type

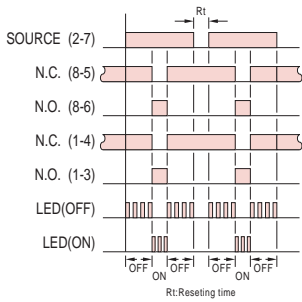


AH5CN-T11

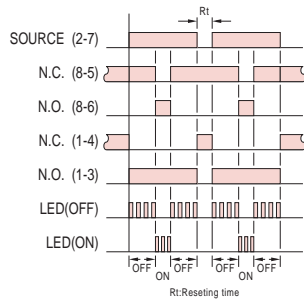


TIMING CHART :

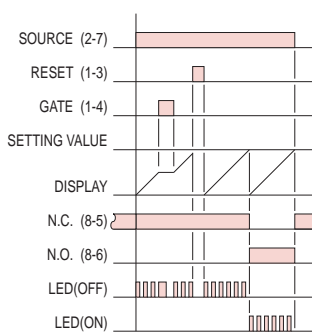
Mode A



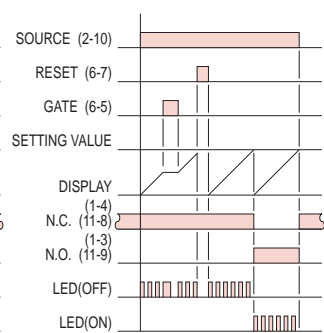
Mode B



G Type

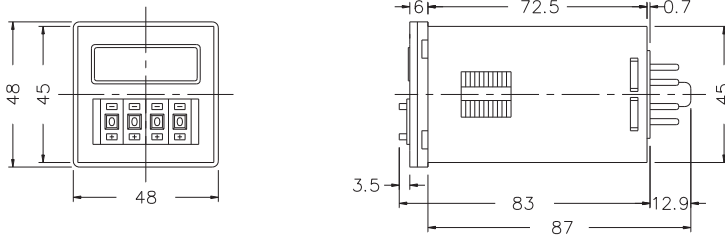


AH5CN-T11

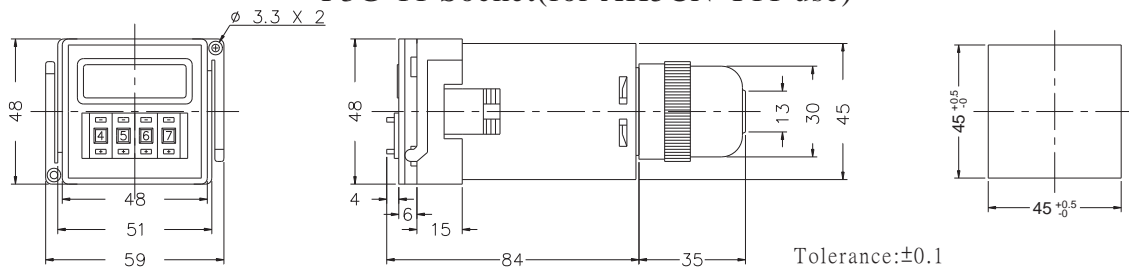


DIMENSIONS : (mm)

N type(Surface Mounting): Using P2CF-08 , PF085A Socket or PF113A Socket(for AH5CN-T11 use)



Y type(Flush Mounting): Using Y50 Frame & US-08 Socket, P3G-08 Socket or P3G-11 Socket(for AH5CN-T11 use)



ONLY ELECTRONICS CO., LTD.

<http://www.ONLY.com.tw>

TAIWAN MAIN OFFICE : ONLY ELECTRONICS CO., LTD.

No.19, Lane 202, Fushou St., Xinzhuang Dist., New Taipei City 242, Taiwan
TEL: +886-2-2996-3202 FAX: +886-2-2996-2017

MALAYSIA BRANCH : JUSTY ELECTRONICS (M) SDN, BHD.

No.1, Jalan 6/89B, Kawasan Perindustrian Trisegi, Batu 3 1/2 Off Jalan Sungei Besi, 57100 Kuala Lumpur, Malaysia
TEL: +60-3-7983-5758 FAX: +60-3-7981-5052

HONG KONG BRANCH : ONLY ELECTRONICS (HK) LTD.

Flat K, 13/F, Edward Mansion, 141 Prince Edward Road W., Kowloon, Hong Kong
TEL: +852-2397-2505 FAX: +852-2397-6080

SHANGHAI BRANCH : ONLY TECHNOLOGY (WUXI) CO., LTD.

Room 13G, No.831, Xinzha Rd., Jingan District, Shanghai, China 200041
TEL: +86-21-6218-3300 FAX: +86-21-6217-5911