



# ANLY CONTROLLER

## EP4-1 MULTI FUNCTION DIGITAL DC VOLTAGE RELAY



### CHARACTERISTIC :

- Digital voltage indicator and fault detector
- Over voltage detection with 0.1sec~10sec tripping delay
- Under voltage detection with 0.1sec~10sec tripping delay
- Manual / Auto Reset selectable - 1sec or 5sec auto reset tripping delay

### SPECIFICATION :

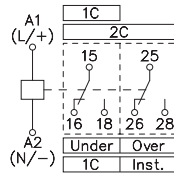
Operating voltage	DC(V): 50 ~ 200(for EP4-11200- only) DC(V): 8 ~ 60(for EP4-11060- only)
Allowable operating voltage range	85~110% of rated operating voltage
Rated frequency	N/A
Reset time	1S / 5S
Display	Display resolution $\pm 1\%$
Contact rating	250VAC 5A (resistive load)
Power consumption	Approx. 1.5W
Life	Mechanical: 5,000,000 times Electrical: 100,000 times
Ambient temperature	-10 ~ +50°C (without condensation & freezing)
Ambient humidity	MAX 85%RH (without condensation)
Altitude	MAX 2000m
Weight	Approx. 130g

### TYPE SELECTION :

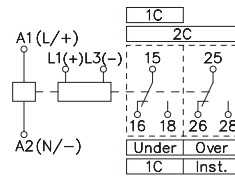
Output contact	1C No-Fault	1C Fault	2C Over&Under Fault	2C Inst.&No-Fault	2C No-Fault
8 ~ 60VDC	EP4-110601	EP4-110602	EP4-110603	EP4-110604	EP4-110605
50 ~ 200VDC	EP4-112001	EP4-112002	EP4-112003	EP4-112004	EP4-112005

## CONNECTION :

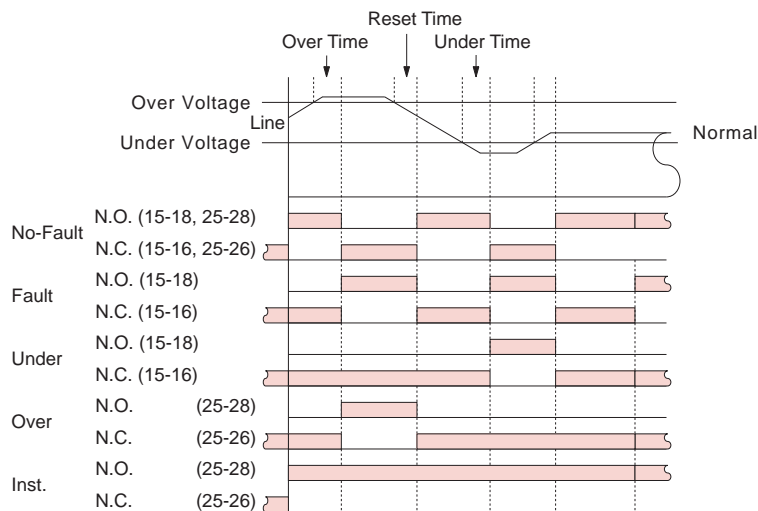
DC Type(8~60V)



DC Type(50~200V)

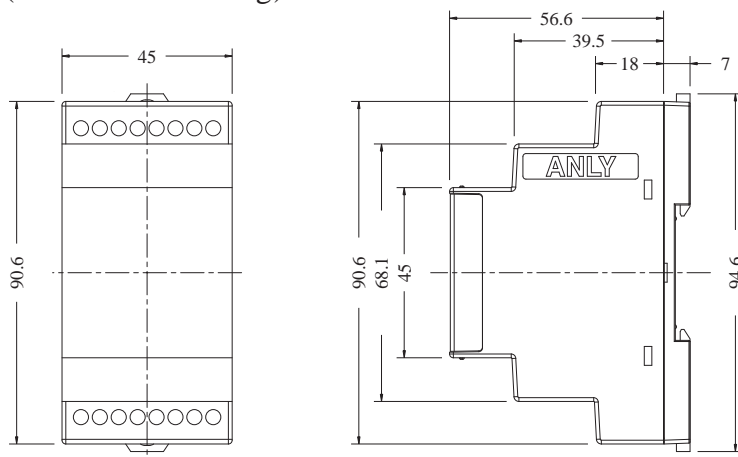


## TIMING CHART :



## DIMENSIONS : (mm)

N type(Surface Mounting):



**ANLY ELECTRONICS CO., LTD.**

<http://www.anly.com.tw>

**TAIWAN MAIN OFFICE : ANLY ELECTRONICS CO., LTD.**

No.19, Lane 202, Fushou St., Xinzhuang Dist., New Taipei City 242, Taiwan  
TEL: +886-2-2996-3202 FAX: +886-2-2996-2017

**MALAYSIA BRANCH : JUSTY ELECTRONICS (M) SDN, BHD.**

No.1, Jalan 6/89B, Kawasan Perindustrian Trisegi, Batu 3 1/2 Off Jalan Sungei Besi, 57100 Kuala Lumpur, Malaysia  
TEL: +60-3-7983-5758 FAX: +60-3-7981-5052

**HONG KONG BRANCH : ANLY ELECTRONICS (HK) LTD.**

Flat K, 13/F, Edward Mansion, 141 Prince Edward Road W., Kowloon, Hong Kong  
TEL: +852-2397-2505 FAX: +852-2397-6080

**SHANGHAI BRANCH : ANLY TECHNOLOGY (WUXI) CO., LTD.**

Room 13G, No.831, Xinzha Rd., Jingan District, Shanghai, China 200041  
TEL: +86-21-6218-3300 FAX: +86-21-6217-5911