



ANLY CONTROLLER

EP4-2 MULTI FUNCTION VOLTAGE RELAY



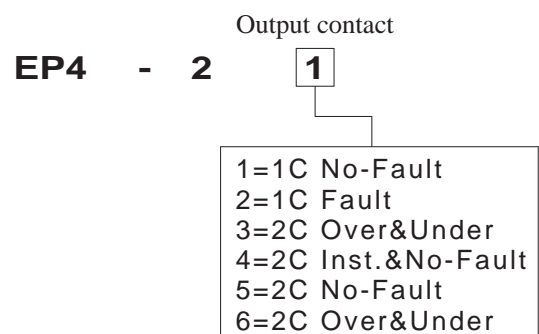
CHARACTERISTIC :

- Switching Mode Power Supply architecture
- High immunity to inverters' high frequency noise
- 3-phase 3-wire and 3-phase 4-wire selectable via DIP switch
- multi-voltage selectable via DIP switch (please see table below)
- Over Voltage trip point from 5 to 20%
- Under Voltage trip point from 5 to 30%
- Voltage Trip Delay from 0.1 to 30 sec.
- Voltages Unbalance detection with a fixed 3 sec. trip delay
- Voltages Unbalance trip point from 2 ~ 22% or turned off Phase Lost detection with 0.2 sec trip delay
- Phase Reversal detection prior to load engagement or turned off via DIP switch
- Auto reset time selectable between 1 and 5 sec.

SPECIFICATION :

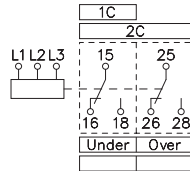
Operating voltage	L-L: AC 200 - 480V L-N: AC 115 - 277V
Allowable operating voltage range	70 ~ 120% of rated operating voltage
Rated frequency	50 / 60 Hz
Detecting method	Detect 3-phase supply voltage
Contact rating	250VAC 5A (resistive load)
Power consumption	Approx. 2.8VA (220VA) Approx. 3.6VA (380VA)
Life	Mechanical: 5,000,000 times Electrical: 100,000 times
Ambient temperature	-10 ~ +50°C (without condensation & freezing)
Ambient humidity	MAX 85% RH (without condensation)
Altitude	MAX 2000m
Weight	Approx. 136g

TYPE SELECTION :

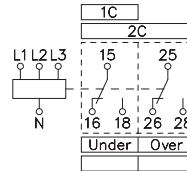


CONNECTION :

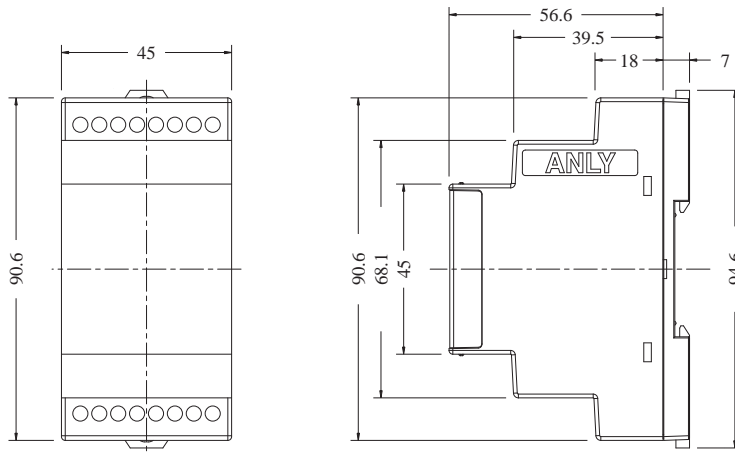
L-L (L1-L2-L3)



L-N (L1-L2-L3-N)



DIMENSIONS : (mm)



ANLY ELECTRONICS CO., LTD.

<http://www.anly.com.tw>

TAIWAN MAIN OFFICE : ANLY ELECTRONICS CO., LTD.

No.19, Lane 202, Fushou St., Xinzhuang Dist., New Taipei City 242, Taiwan
 TEL: +886-2-2996-3202 FAX: +886-2-2996-2017

MALAYSIA BRANCH : JUSTY ELECTRONICS (M) SDN, BHD.

No.1, Jalan 6/89B, Kawasan Perindustrian Triseqi, Batu 3 1/2 Off Jalan Sungei Besi, 57100 Kuala Lumpur, Malaysia
 TEL: +60-3-7983-5758 FAX: +60-3-7981-5052

HONG KONG BRANCH : ANLY ELECTRONICS (HK) LTD.

Flat K, 13/F, Edward Mansion, 141 Prince Edward Road W., Kowloon, Hong Kong
 TEL: +852-2397-2505 FAX: +852-2397-6080

SHANGHAI BRANCH : ANLY TECHNOLOGY (WUXI) CO., LTD.

Room 13G, No.831, Xinzha Rd., Jingan District, Shanghai, China 200041
 TEL: +86-21-6218-3300 FAX: +86-21-6217-5911