



# ANLY TIMER

ANLY

## H3D-S ANALOGUE TIMER



### CHARACTERISTICS :

- Customized CMOS IC for low power consumption, high operation stability and extreme timing accuracy
- 15 time ranges, from 1 second to 24 hour
- 17.5 mm thin body design
- CE certified

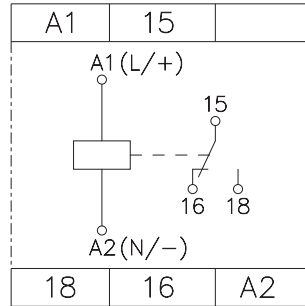
### SPECIFICATION :

|                                   |  |
|-----------------------------------|--|
| Operating voltage                 | DC(V): 12, 24, 48<br>AC(V): 12, 24, 48, 100-120, 200-240 |
| Allowable operating voltage range | 90~110% of rated operating voltage                       |
| Rated frequency                   | 50 / 60 Hz   |
| Contact rating                    | 250VAC 5A (resistive load)                               |
| Reset time                        | MAX 0.1s   |
| Power consumption                 | Approx. 7VA  |
| Life                              | Mechanical: 5,000,000 times<br>Electrical: 100,000 times |
| Ambient temperature               | -10 ~ +50°C (without condensation & freezing)            |
| Ambient humidity                  | MAX 85%RH (without condensation)                         |
| Altitude                          | MAX 2000m  |
| Weight                            | Approx. 54g  |

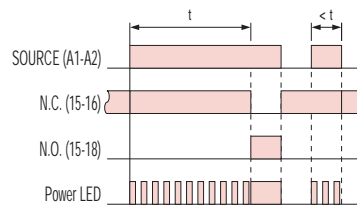
### TYPE SELECTION :

|                |  |
|----------------|--|
| Type           | H3D-S  |
| Time range     | 1, 3, 6, 10, 30, 60 sec, 3, 6, 10, 30, 60 min, 3, 6, 10, 24 hr |
| Output contact | 1C   |
| Output mode    | On Delay   |

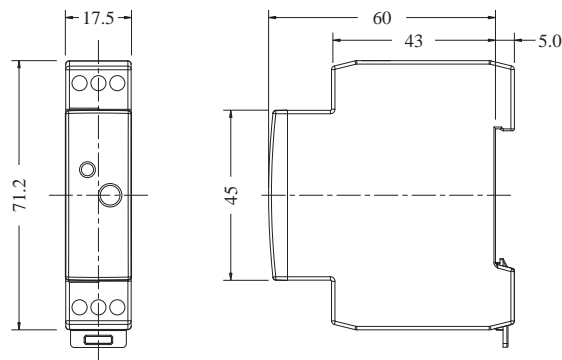
## CONNECTION :



## TIMING CHART :



## DIMENSIONS : (mm)



Tolerance:  $\pm 0.1$

## ANLY ELECTRONICS CO., LTD.

<http://www.anly.com.tw>

### TAIWAN MAIN OFFICE : ANLY ELECTRONICS CO., LTD.

No.19, Lane 202, Fushou St., Xinzhuang Dist., New Taipei City 242, Taiwan  
 TEL: +886-2-2996-3202 FAX: +886-2-2996-2017

### HONG KONG OFFICE : ANLY ELECTRONICS (HK) LTD.

Flat K, 13/F, Edward Mansion, 141 Prince Edward Road W., Kowloon, Hong Kong  
 TEL: +852-2397-2505 FAX: +852-2397-6080

### CHINA OFFICE : ANLY TECHNOLOGY (WUXI) CO., LTD.

2F, Building A, Plot 1, No. 28, Zhanhong Rd., Xinwu Dist., Wuxi, Jiangsu, P.R.China  
 TEL: +86-510-85304801-3

### MALAYSIA OFFICE : JUSTY ELECTRONICS (M) SDN, BHD.

No.1, Jalan 6/89B, Kawasan Perindustrian Trisegi, Batu 3 1/2 Off Jalan Sungei Besi, 57100 Kuala Lumpur, Malaysia  
 TEL: +60-3-7983-5758 FAX: +60-3-7981-5052

### INDONESIA OFFICE : PT. ANLY ELECTRONICS INDONESIA

Jl. Pangeran Jayakarta 117/B9, Jakarta Pusat, 10730 Indonesia  
 TEL: +62-21-624-8436 FAX: +62-21-626-1228

NO. H3DS-W-A